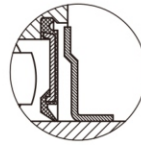
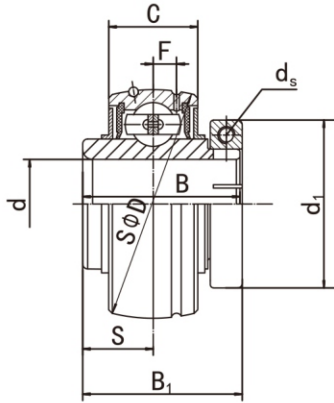


Ball Bearings



SL Dual seal
(Standard)



L₃ Triple-lip seal
(Optional)



F seal
(Optional)

Bearing NO.	Dimensions (mm / in.)									Dynamic load ratings (N)	Static load ratings (N)	Weight (kg)							
	d	d ₁	D	B	B ₁	C	S	d _s	F										
NC204	20	44.5	47	31.0	33.4	17	12.7	M4X0.7	3.7	12800	6600	0.30							
204-12	3/4	1.752	1.850	1.221	1.315	0.669	0.500	8-32UNC	0.146										
NC205	25	49.2	52	34.1	36.5	17	14.3	M4X0.7	3.9	14000	7850	0.40							
205-13	13/16	1.937	2.047	1.343	1.437	0.669	0.563	8-32UNC	0.154										
205-14	7/8																		
205-15	15/16																		
205-16	1																		
NC206	30									55.6	62	38.1	39.7	19	15.9	M4X0.7	5.0	19450	11250
206-17	1-1/16	2.189	2.441	1.500	1.563	0.748	0.626	8-32UNC	0.197										
206-18	1-1/8																		
206-19	1-3/16																		
206-20	1-1/4																		
NC207	35									65.1	72	42.9	44.5	20	17.5	M5X0.8	5.7	25700	15200
207-20	1-1/4	2.437	2.835	1.689	1.752	0.787	0.689	10-24UNC	0.224										
207-22	1-3/8	2.563																	
207-23	1-7/16																		
NC208	40	68.3	80	49.2	50.8	21	19.0	M5X0.8	6.2	29500	18100	1.00							
208-24	1-1/2	2.689	3.150	1.937	1.976	0.827	0.748	10-24UNC	0.244										
NC209	45	74.6	85	49.2	50.8	22	19.0	M5X0.8	6.4	32700	20900	1.10							
209-26	1-5/8	2.811	3.347	1.937	1.976	0.866	0.748	10-24UNC	0.252										
209-27	1-11/16	2.937																	
209-28	1-3/4																		
NC210	50	85.7	90	51.6	53.1	24	19.0	M6X1	6.5	35000	23200	1.40							
210-31	1-15/16	3.374	3.543	2.031	2.091	0.945	0.748	1/4-20UNC	0.2559										
210-32	2	3.937	2.189	2.248	0.984	0.874	1/4-20UNC	0.276											
NC211	55								92.1	100	55.6	57.1	25	22.2	M6X1	7.0	43500	29200	1.50
211-32	2								3.500										
211-35	2-3/16	3.626																	
NC212	55	104.8	110	65.1	66.7	27	25.4	M8X1.25	7.6	47700	32900	2.20							
212-36	2-1/4	4.063	4.331	2.563	2.626	1.063	1.000	5/16-18UNC	0.299										
212-39	2-7/16	4.126																	